

Non Spring Return Damper Actuators

M9100

(*Joventa DAS-DMS / DA-DM / DAL-DML / DAG-DMG*)

8, 16, 24 and 32 Nm, ON/OFF, Floating and Proportional Control

The M9100 Series Electric Actuators are direct-mount actuators. These bidirectional actuators do not require a damper linkage, and are easily installed on round shafts or square shafts using the standard shaft clamp included with the actuator.

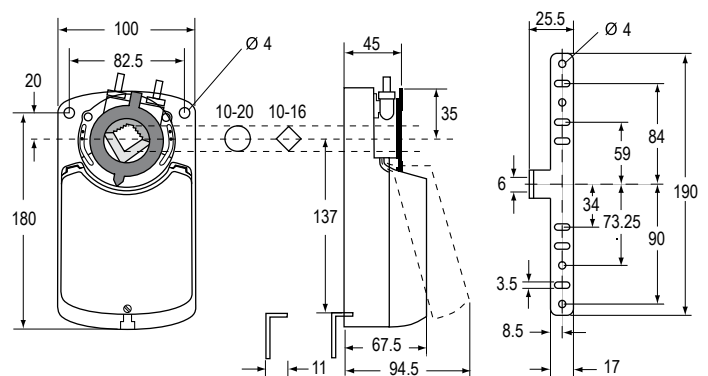
A single M9100 Series Electric Non Spring Return Actuator provides 8, 16, 24 or 32 Nm torque depending on the model. Two integral line voltage auxiliary switches, available only on the M91xx-xxC models, indicate end stop position or performs switching functions within the selected rotation range.

M9100 Series Actuators provide 90° of rotation. A graduated scale from 0° to 90° and a position indicator provide visual indication of stroke.



Features

- Direct-Coupled Design
- Selectable direction of rotation
- Electronic Stall Detection
- Double-Insulated Construction
- Load independent
- Optional Integrated Auxiliary Switches
- Manufactured under International Standards Organization (ISO) 9001 Quality Control Standards



Dimensions in mm

Non Spring Return Damper Actuators

M9100

(*Joventa DAS-DMS / DA-DM / DAL-DML / DAG-DMG*)

Ordering Codes		Running Time	Damper Size	Control Signals	2 x Auxiliary Contacts	Feedback Potentiometer	Supply Voltage (50/60Hz)
Johnson Controls	Joventa*						
8 Nm							
M9108-AGA-1N	DAS1	30 s	1.5 m ²	ON/OFF and Floating	---	---	24 VAC/DC
M9108-AGC-1N	DAS1.S				•	---	
M9108-AGE-1N	DAS1.P1				---	1 KOhm	
M9108-AGD-1N	DAS1.P2				---	140 Ohm	
M9108-AGF-1N	DAS1.P4				---	2 KOhm	
M9108-ADA-1N	DAS2				---	---	100 ... 230 VAC
M9108-ADC-1N	DAS2.S				•	---	
M9108-ADE-1N	DAS2.P1				---	1 KOhm	
M9108-ADD-1N	DAS2.P2				---	140 Ohm	
M9108-ADF-1N	DAS2.P4				---	2 KOhm	
M9108-GGA-1N	DMS1.1				---	---	24 VAC/DC
M9108-GGC-1N	DMS1.1S				•	---	
M9108-GDA-1N	DMS2.2				---	---	230 VAC
M9108-GDC-1N	DMS2.2S				•	---	
M9108-GDA-1N1	DMS2.5				---	---	
M9108-GDC-1N1	DMS2.5S				•	---	
16 Nm							
M9116-AGA-1N	DA1	80 s	3 m ²	ON/OFF and Floating	---	---	24 VAC/DC
M9116-AGC-1N	DA1.S				•	---	
M9116-AGE-1N	DA1.P1				---	1 KOhm	
M9116-AGD-1N	DA1.P2				---	140 Ohm	
M9116-AGF-1N	DA1.P4				---	2 KOhm	
M9116-ADA-1N	DA2				---	---	100 ... 230 VAC
M9116-ADC-1N	DA2.S				•	---	
M9116-ADE-1N	DA2.P1				---	1 KOhm	
M9116-ADD-1N	DA2.P2				---	140 Ohm	
M9116-ADF-1N	DA2.P4				---	2 KOhm	
M9116-GGA-1N	DM1.1				---	---	24 VAC/DC
M9116-GGC-1N	DM1.1S				•	---	
M9116-GDA-1N	DM2.2				---	---	230 VAC
M9116-GDC-1N	DM2.2S				•	---	
M9116-GDA-1N1	DM2.5				---	---	
M9116-GDC-1N1	DM2.5S				•	---	

Note

* by adding a K after the type number you will acquire the same model with a Halogene free cable (1 m)

Non Spring Return Damper Actuators

M9100

(Joventa DAS-DMS / DA-DM / DAL-DML / DAG-DMG)

Ordering Codes		Running Time	Damper Size	Control Signals	2 x Auxiliary Contacts	Feedback Potentiometer	Supply Voltage (50/60Hz)		
Johnson Controls	Joventa*								
24 Nm									
M9124-AGA-1N	DAL1	125 s	4.5 m ²	ON/OFF and Floating	---	---	24 VAC/DC		
M9124-AGC-1N	DAL1.S				•	---			
M9124-AGE-1N	DAL1.P1				---	1 KOhm			
M9124-AGD-1N	DAL1.P2				---	140 Ohm			
M9124-AGF-1N	DAL1.P4				---	2 KOhm			
M9124-ADA-1N	DAL2				---	---			
M9124-ADC-1N	DAL2.S			•	---	100 ... 230 VAC			
M9124-ADE-1N	DAL2.P1			---	1 KOhm				
M9124-ADD-1N	DAL2.P2			---	140 Ohm				
M9124-ADF-1N	DAL2.P4			---	2 KOhm				
M9124-GGA-1N	DML1.1			24 VAC/DC	Proportional 0(2)...10 VDC 0(4)...20 mA	---	---		
M9124-GGC-1N	DML1.1S					•	---		
M9124-GDA-1N	DML2.2					230 VAC	Proportional 0(2)...10 VDC	---	---
M9124-GDC-1N	DML2.2S							•	---
M9124-GDA-1N1	DML2.5							---	---
M9124-GDC-1N1	DML2.5S					•	---		
32 Nm									
M9132-AGA-1N	DAG1	140 s	6 m ²	ON/OFF and Floating	---	---	24 VAC/DC		
M9132-AGC-1N	DAG1.S			•	---				
M9132-AGE-1N	DAG1.P1			---	1 KOhm				
M9132-AGD-1N	DAG1.P2			---	140 Ohm				
M9132-AGF-1N	DAG1.P4			---	2 KOhm	100 ... 230 VAC			
M9132-ADA-1N	DAG2			---	---				
M9132-ADC-1N	DAG2.S			•	---				
M9132-ADE-1N	DAG2.P1			---	1 KOhm				
M9132-ADD-1N	DAG2.P2			---	140 Ohm				
M9132-ADF-1N	DAG2.P4			---	2 KOhm				
M9132-GDA-1N	DMG2.2			230 VAC	ON/OFF and Floating	---	---		
M9132-GDC-1N	DMG2.2S					•	---		
M9132-GGA-1N	DMG1.1					24 VAC/DC	Proportional 0(2)...10 VDC 0(4)...20 mA	---	---
M9132-GGC-1N	DMG1.1S			•	---				

Note

* by adding a K after the type number you will acquire the same model with a Halogene free cable (1 m)